

Shuttle valve

- Aluminium casing

The shuttle valve makes it possible to drive a consumer from two different supply locations. The valve casing is made from aluminium.

Technical data	
Body material	Aluminium
Medium	lubricated or non-lubricated, filtered air
Medium temperature	-10 ... +80 °C
Nominal pressure	2 ... 10 bar ¹⁾
Fluid connection	G 1/8, G 1/4

¹⁾ Pressure data [bar]: Overpressure with respect to atmospheric pressure

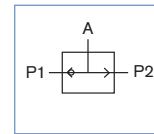
other versions on request

Flow rate QNn-value air

Fluid connection	QNn value air [l/min]	Pressure range [bar] ¹⁾
G 1/8	200	2 ... 10
G 1/4	200	2 ... 10

¹⁾ Measured at +20 °C, 6 bar¹⁾ pressure at the valve inlet and 1 bar pressure differential

Circuit function



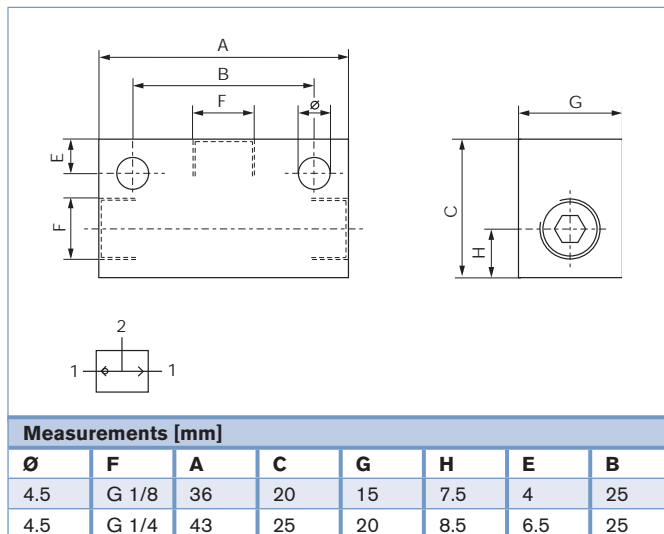
The pressurised port P1 or P2 is connected to A, while the other inlet is blocked.

If both ports are subject to pressure, the higher pressure is guided to the outlet.

Ordering chart

Fluid connection	Item no.
G 1/8	783 708
G 1/4	787 732

Dimensions [mm]



To find your nearest Burkert facility, click on the orange box →

www.burkert.com

In the case of special conditions,
please consult for advice

Subject to alterations
© Christian Bürkert GmbH & Co. KG

0809/1_EU-en_00895102